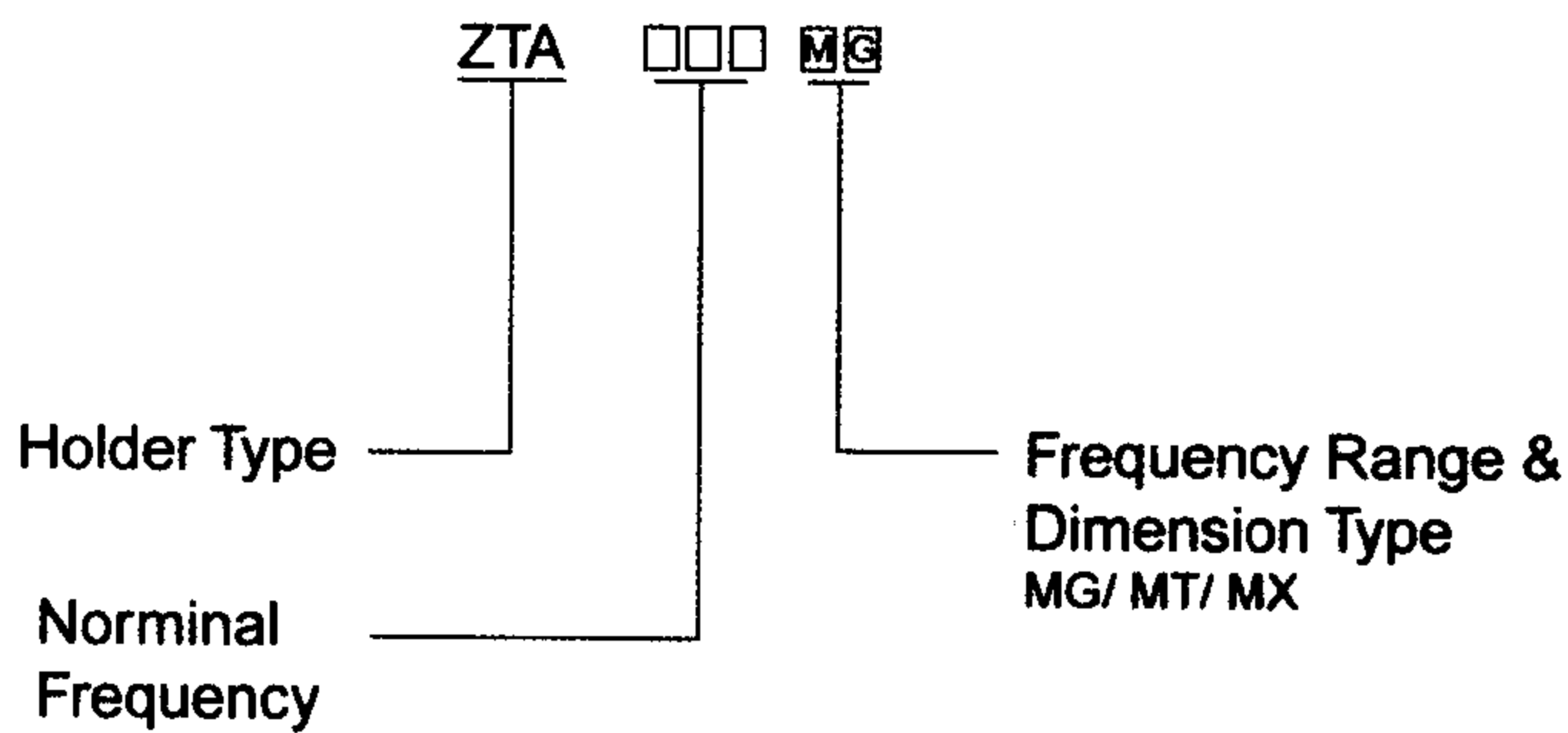
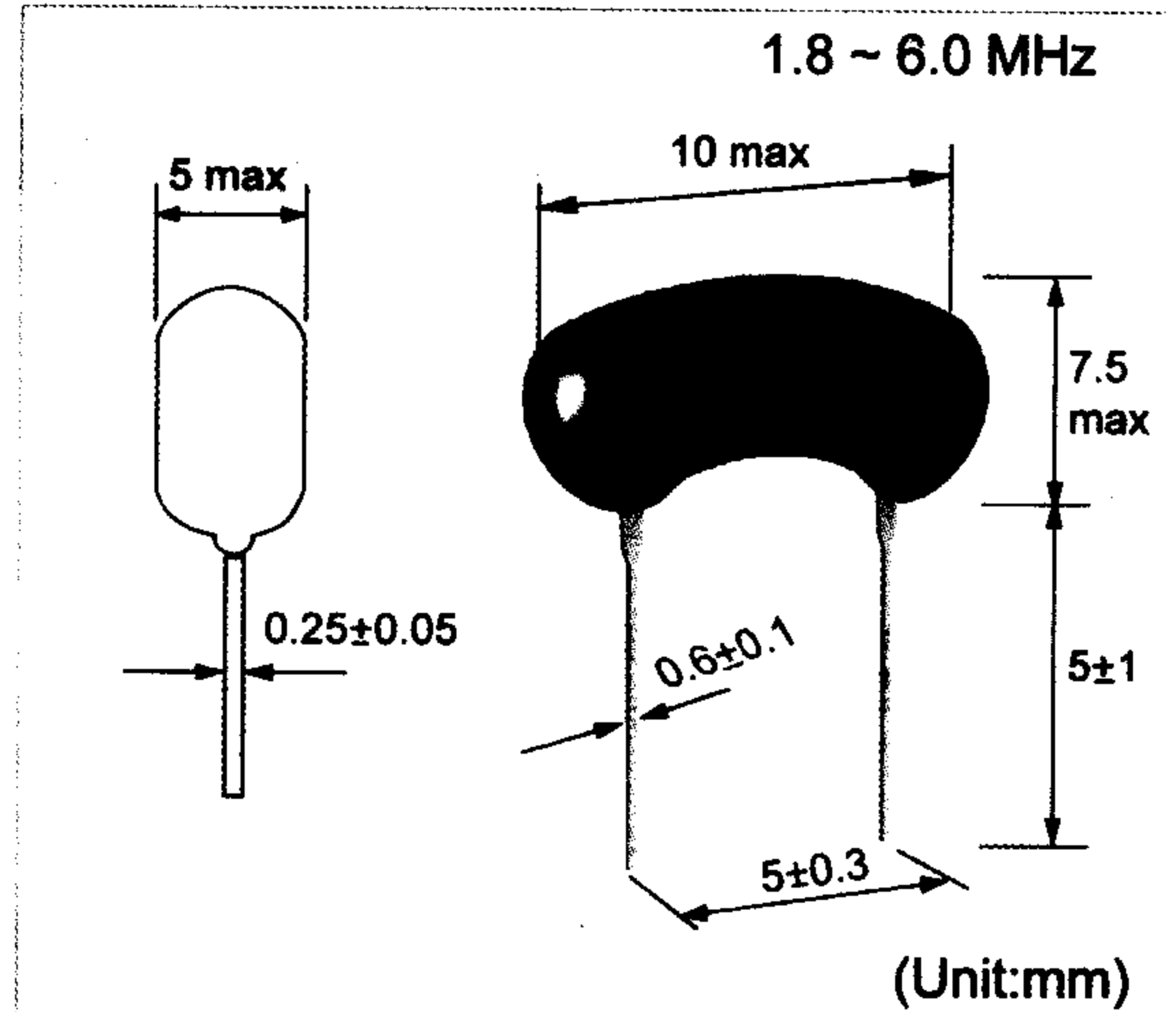


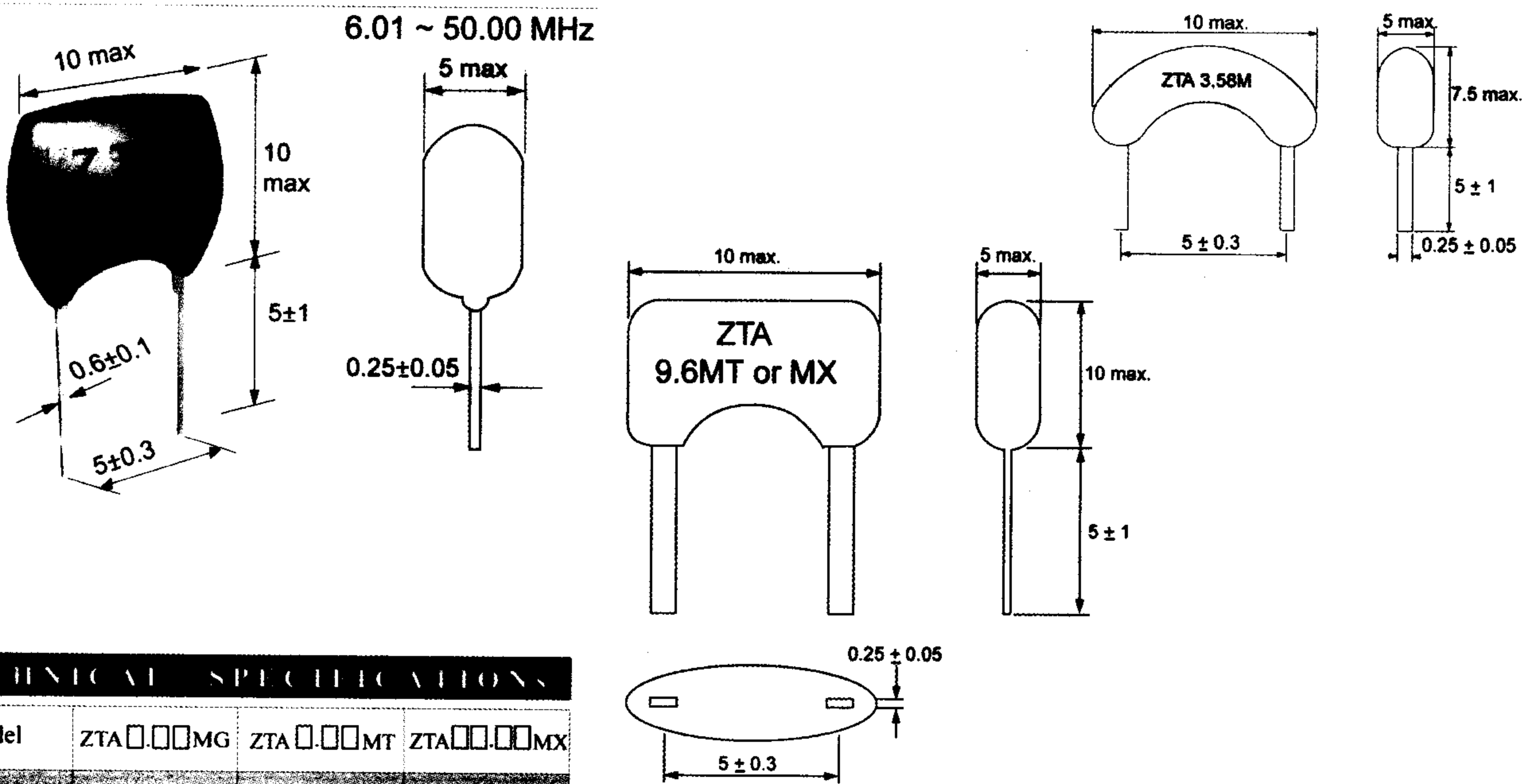
## PART NUMBERING SYSTEM



## ● OUTLINE DRAWING & DIMENSIONS (mm)



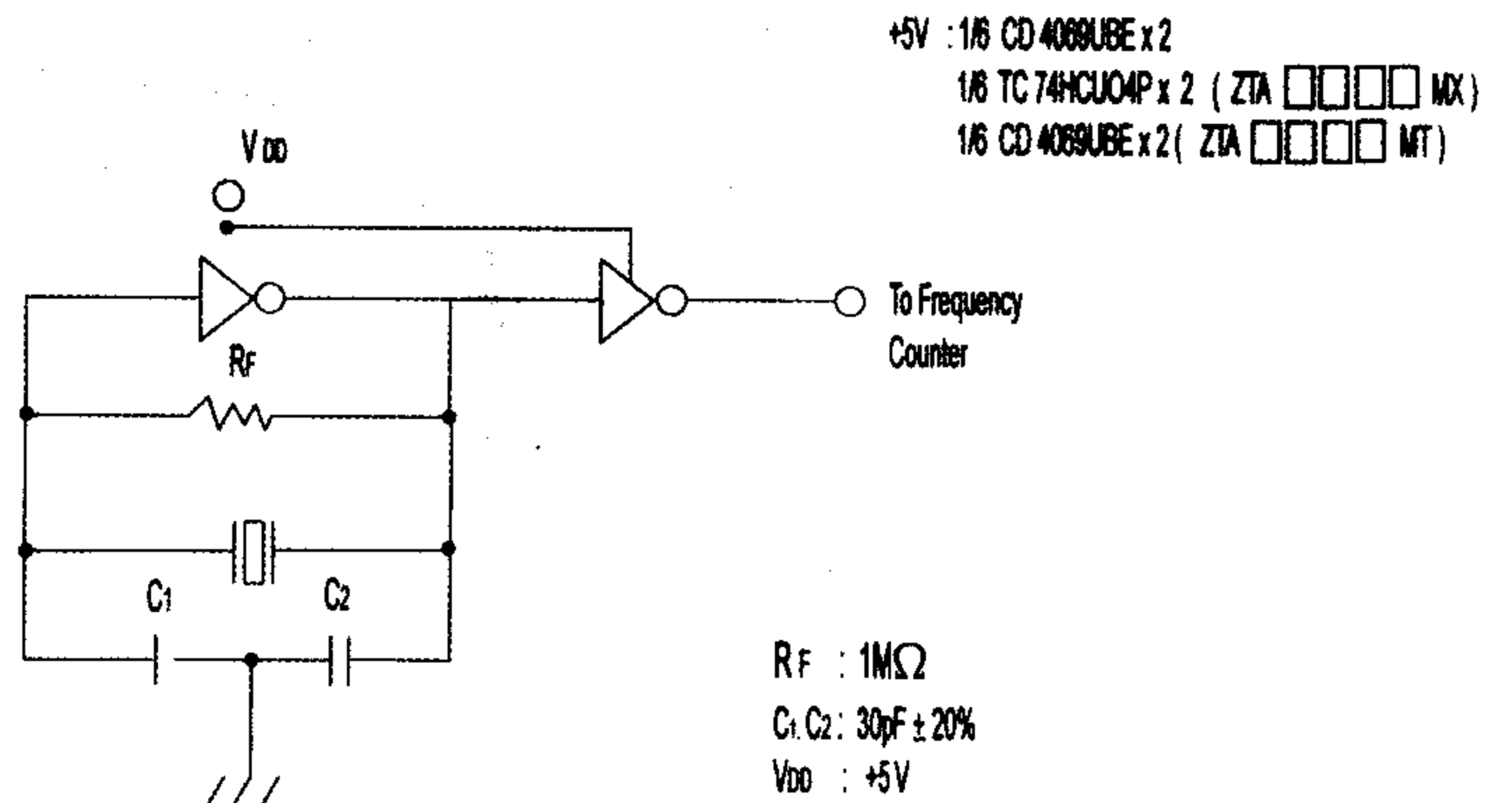
## ● OUTLINE DRAWING & DIMENSIONS (mm)



## TECHNICAL SPECIFICATION

Model	ZTA [ ] [ ] MG	ZTA [ ] [ ] MT	ZTA [ ] [ ] MX
Frequency Range	1.8 ~ 6.0	6.01 ~ 19.0	19.01 ~ 50.0
Frequency Tolerance at 25°C	+/- 0.5%	+/- 0.5%	+/- 0.5%
Frequency Aging	+/- 0.3	+/- 0.3	+/- 0.3
Aging for 10 Years (%)	+/- 0.3	+/- 0.3	+/- 0.3
Withstanding Voltage (5 sec. max.)	100Vdc	100Vdc	100Vdc

## ● Test Circuit



Official Specifications are Available Upon Request