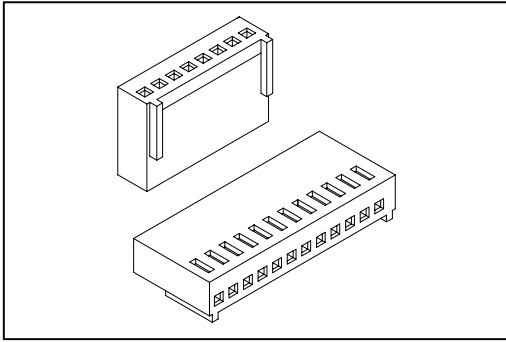


4071 Series

Housing 2.54mm(0.100")



Material:

Housing: Nylon 66 Flame Retardant UL94V-2.
 Contacts: Brass.
 Terminal Plating: Tin plated.
 Recommend Wire: 22AWG to 28AWG.

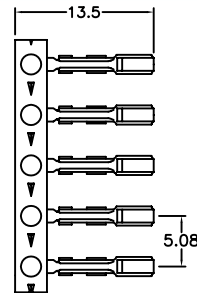
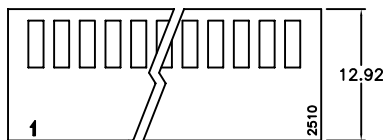
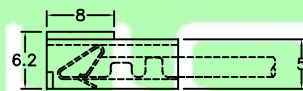
Electrical Characteristics:

Current Rating: 2 A.
 Dielectric Withstanding Voltage: AC 1000V.
 Insulator Resistance: 1000MΩ min.
 Contact Resistance: 20mΩ max.
 Operating Temperature: -25°C~+85°C.

Features:

- * Available in Single row.
- * Box design terminal order separately.
- * Side-to-side and end-to-end stackable.
- * Polarizing key for proper orientation.

Mates with: 2011, 2012, 4071 wafer.



Position Dimension	2 Thru 20
A	2.54 X No. of Positions +0.6
B	2.54 X No. of Positions -2.54

Ordering information

4071- 20 H B
 Series No.of Position H: Housing B: Bulk Package

4071- PIN-T-10K
 Series T: Tin Plated 10K Pins Per Reel