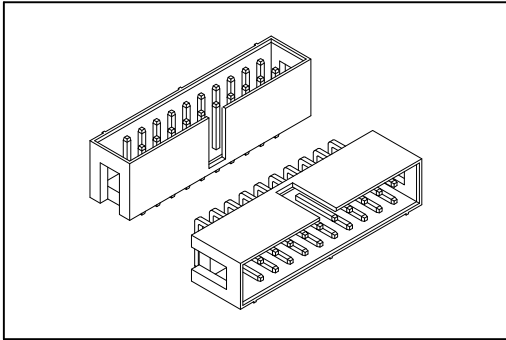


# 3012 Series

## Box Header 2.54mm(0.100")



### Material:

Housing: 30% Glass Filled PBT UL94V-0.

Contacts: Brass.

### Electrical Characteristics:

Current Rating: 2 A.

Dielectric Withstanding Voltage: AC 1000V.

Insulator Resistance: 1000MΩ min.

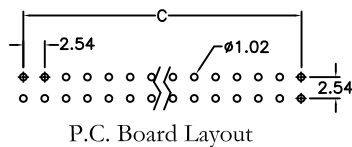
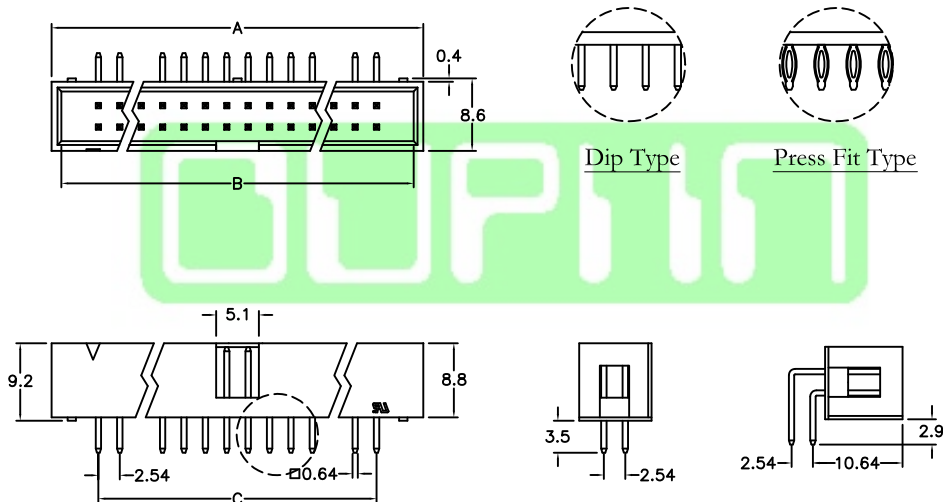
Contact Resistance: 20mΩ max.

Operating Temperature: -40°C~+105°C.

### Features:

- \* Fully shrouded provides ultimate reliability.
- \* With center polarization.
- \* Straight, Right angle and Wire Wrap.

Mates with: 1001,2043,2044,2045,2047.



Position	Dimension		
	A	B	C
10	20.34	18.10	10.16
14	25.48	23.18	15.24
16	27.90	25.72	17.78
20	33.05	30.80	22.86
26	40.68	38.42	30.48
34	50.80	48.58	40.64
40	58.46	56.20	48.26
50	71.10	68.90	60.96
60	83.80	81.60	73.66
64	89.10	86.68	78.74

## Ordering information

<b>3012-</b>	<b>64</b>	<b>G</b>	<b>00</b>	<b>S</b>	<b>P</b>	<b>B</b>	<b>A</b>
Series	No. of Pin Count	G: Gold Plated C: Selective Gold Plated T: Tin Plated	00: G/F	S: Straight R: Right Angle *W: Wire Wrap	Blank: Dip Type P: Press Fit Type	B: Black Y: Grey	A: Tray Package

\*Currently only Straight Wire wrap available and dip length is 19.30mm.